

WeldTec®

MEGAFLO™

TIG Torch Glass Nozzle



WT-20 Shown
(250 Amps - Water Cooled)

From the company who introduced clear glass TIG nozzles to the welding industry . . . comes the MegaFlo™ nozzle.

- Better weld visibility
- Maximum weld zone gas protection
- Positive nozzle stop for reliable weld shielding
- Replaceable screens and electrode guides

The MegaFlo™ nozzle provides complete weld zone protection for critical welding of reactive metals such as titanium, molybdenum, nickel alloys, stainless alloys and others. Useable on most hand held and machine TIG torches.

TORCH SERIES	DESCRIPTION	SIZE	PART NO.
WT-17, 18, 26 WT-28, 29 i-Heads 17, 18	MegaFlo™ Nozzle	1/16 (1,6)	MF10-16
	Includes: glass nozzle, teflon gasket, collet, megaflor body assembly with screen pack, o-ring, electrode guide.	3/32 (2,4)	MF10-32
		1/8 (3,2)	MF10-18
	MegaFlo™ Nozzle Kit	All 3 Sizes	MF10NK
	Includes: glass nozzle, teflon gasket, megaflor body assembly with screen pack, o-ring, all 3 electrode guides and collets 1/16, 3/32, 1/8.	1/16, 3/32, 1/8	

TORCH SERIES	DESCRIPTION	SIZE	PART NO.
WT-9, 20, 25 WT-22, 23 SW-320 i-Heads 9, 20	MegaFlo™ Nozzle	1/16 (1,6)	MF13-16
	Includes: glass nozzle, teflon gasket, collet, megaflor body assembly with screen pack, o-ring, electrode guide.	3/32 (2,4)	MF13-32
		1/8 (3,2)	MF13-18
	MegaFlo™ Nozzle Kit	All 3 Sizes	MF13NK
	Includes: glass nozzle, teflon gasket, megaflor body assembly with screen pack, o-ring, all 3 electrode guides and collets 1/16, 3/32, 1/8.	1/16, 3/32, 1/8	



30 cfh Gas Flow



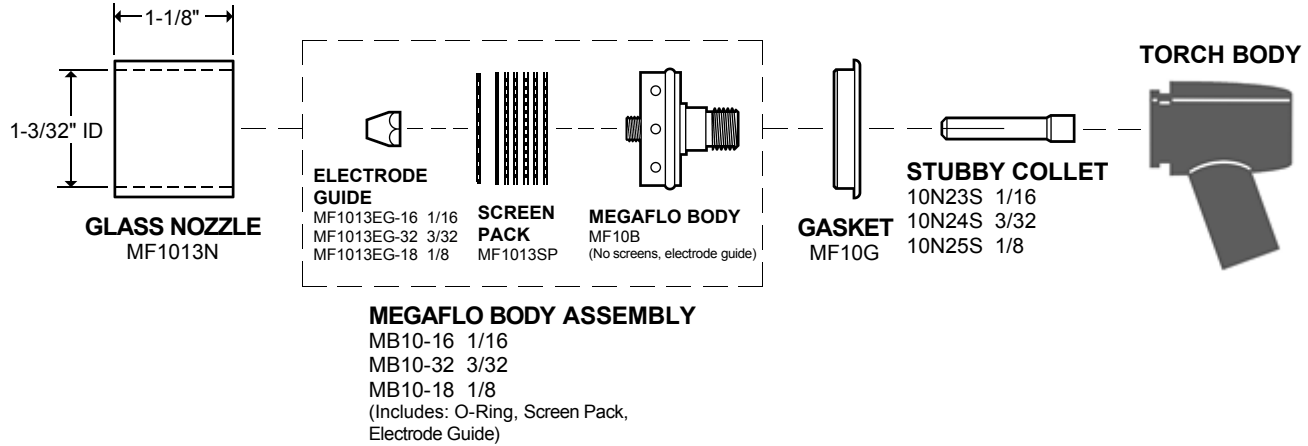
WeldTec® - "where quality and innovation never ends"

Specifications subject to change without notice.

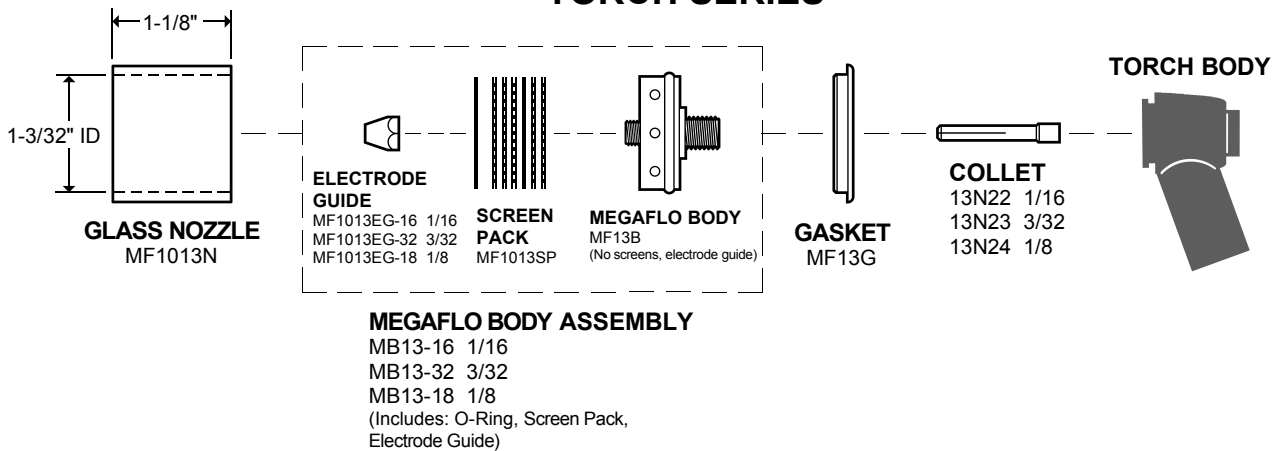
Revised 8/18

TEC WELDING PRODUCTS, INC. • PO BOX 1870 • SAN MARCOS, CA 92079 • (760) 747-3700
COPYRIGHT 2018 TEC WELDING PRODUCTS, INC. www.tigtorch.com e-mail info@tectorch.com

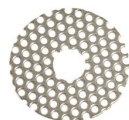
WT-17, 18, 26 WT-28, 29 i-HEADS 17, 18 TORCH SERIES



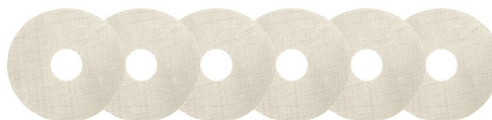
WT-9, 20, 25 WT-22, 23, SW-320 i-HEADS 9, 20 TORCH SERIES



REPLACEMENT SCREEN PACK MF1013SP



1 - BAFFLE



6 - SCREENS