

STUBBY™

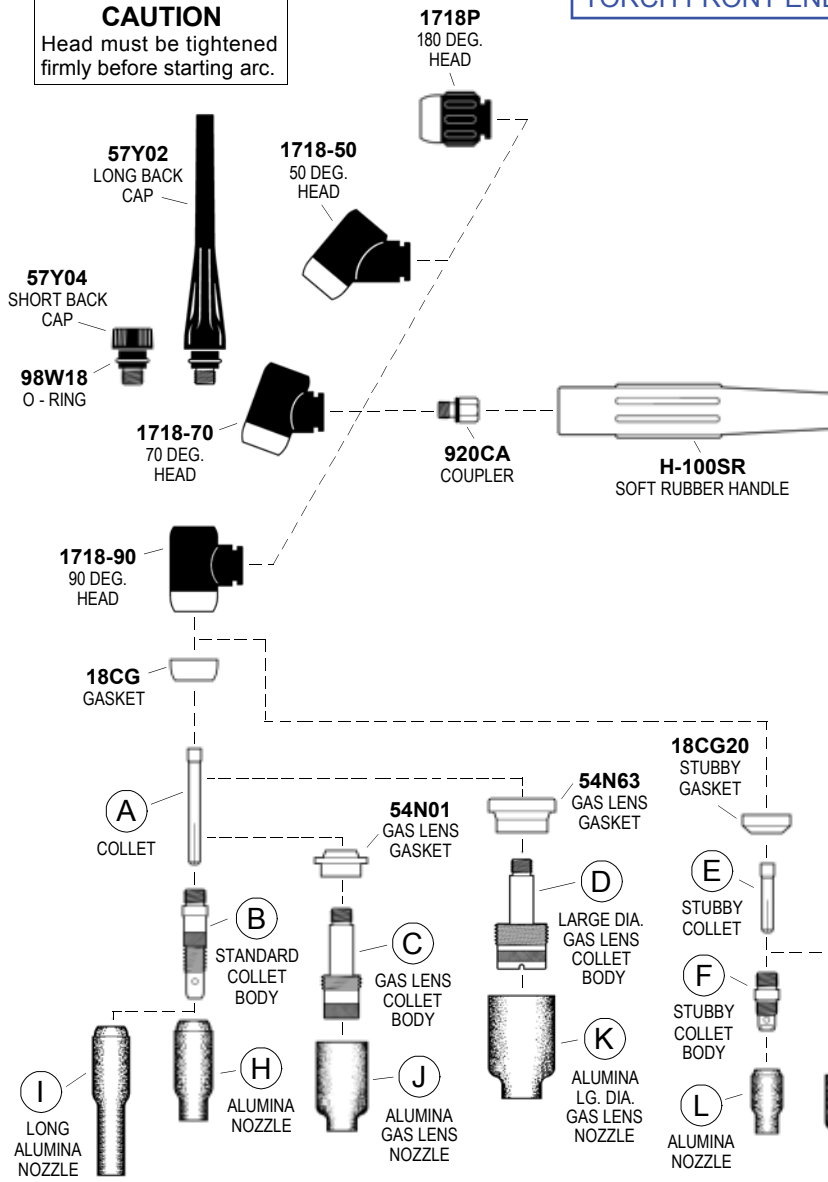
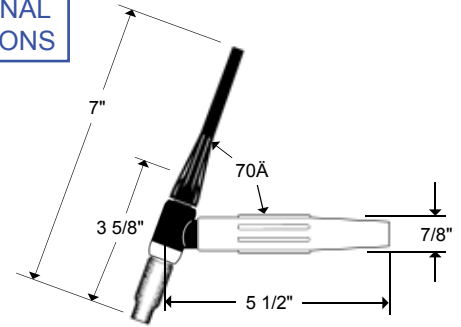
... by WeldTec®

REPLACEMENT PARTS

WTS-17
150 AMPS
AIR COOLED

SEE GUIDE FOR ADDITIONAL TORCH FRONT END OPTIONS

CAUTION
Head must be tightened firmly before starting arc.



STANDARD POWER CABLE

57Y01SF 12.5 FT.
57Y03SF 25 FT.
ASF POWER CABLE - SUPER FLEX

OPTIONAL POWER CABLE

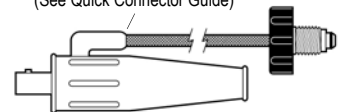
57Y01R 12.5 FT.
57Y03R 25 FT.
AR POWER CABLE - RUBBER

105Z57 POWER CABLE ADAPTER

5/8 RH FM 3/8 RH FM

QUICK CONNECTOR

(See Quick Connector Guide)



COPYRIGHT 2014 - 2019 TEC WELDING PRODUCTS, INC.

COLLETS • COLLET BODIES • GAS LENS

ITEM	ELECTRODE DIAMETER	.020 0,5	.040 1,0	1/16 1,6	3/32 2,4	1/8 3,2
A	COLLET	10N21	10N22	10N23	10N24	10N25
B	STANDARD COLLET BODY	10N29	10N30	10N31	10N32	10N28
C	GAS LENS	45V29	45V24	45V25	45V26	45V27
D	LG. DIA GAS LENS	—	—	45V116	45V64	995795
E	STUBBY COLLET	—	—	10N23S	10N24S	10N25S
F	STUBBY COLLET BODY	17CB20				
G	MEDIUM GAS LENS	—	—	45V25S	45V26S	45V27S

GAS NOZZLES

ITEM	NO. SIZE	4 1/4"	5 5/16"	6 3/8"	7 7/16"	8 1/2"	10 5/8"	11 11/16"	12 3/4"
H	ALUMINA	10N50	10N49	10N48	10N47	10N46	10N45	—	10N44
I	ALUMINA 3" LONG	—	10N49L	10N48L	10N47L	—	—	—	—
J	ALUMINA GAS LENS	54N18	54N17	54N16	54N15	54N14	—	54N19	—
K	ALUMINA LG. DIA. GAS LENS	—	—	57N75	—	57N74	53N88	—	53N87*
L	ALUMINA	13N08	13N09	13N10	13N11	13N12	13N13	—	—
M	ALUMINA MEDIUM GAS LENS	—	—	—	54N15SW	54N14SW	54N12SW	54N19	—

* #15 53N89 15/16" ID X 1 7/8" Long

Specifications and descriptions subject to change without notice.

MANUFACTURED IN USA

TEC WELDING PRODUCTS, INC. • PO BOX 1870 • SAN MARCOS, CA 92079 • (760) 747-3700

www.tectorch.com

e-mail info@tectorch.com

www.weldtec.com

REVISION D