

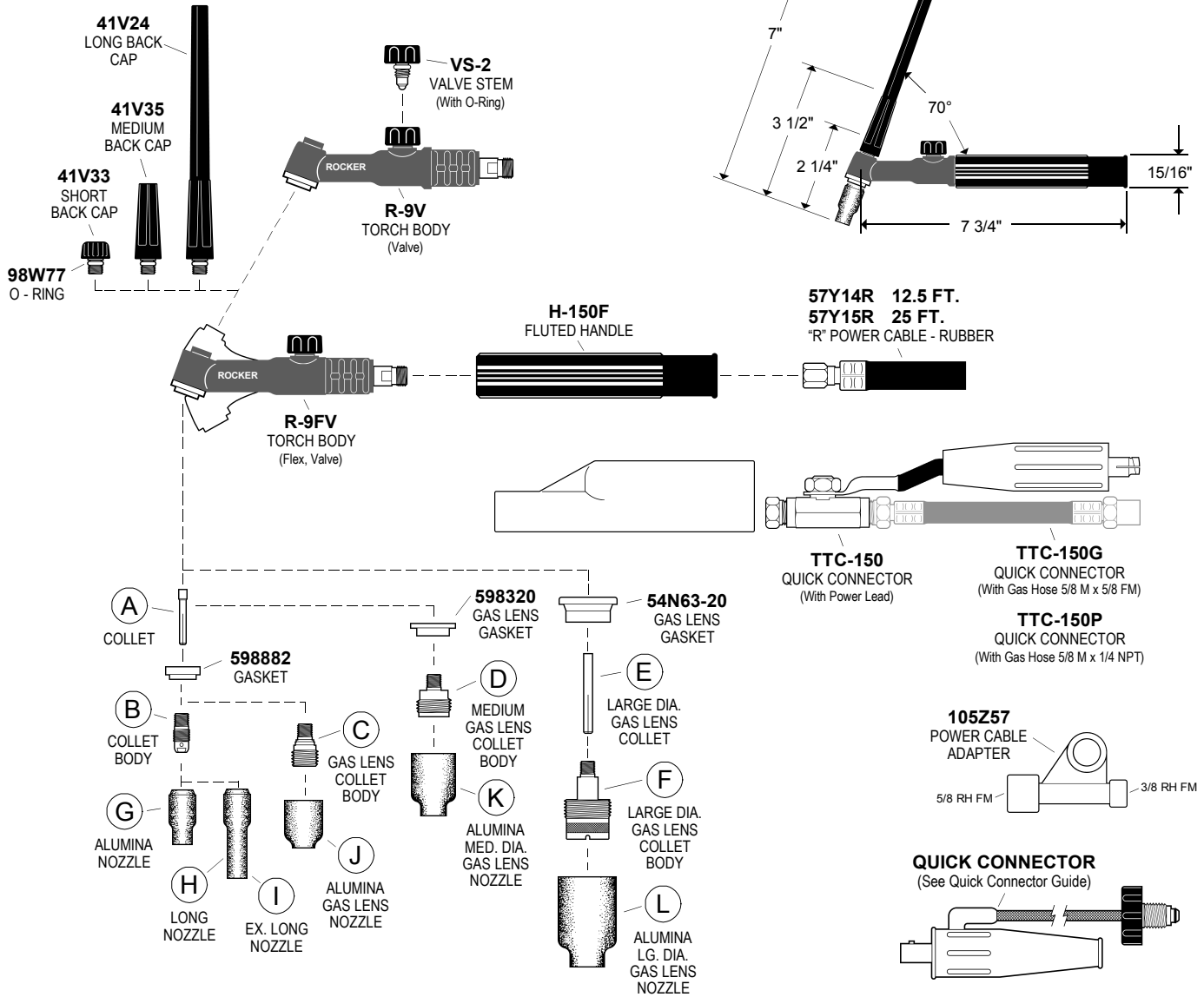


... by WeldTec®

REPLACEMENT PARTS

R-9FV • R-9V
 FLEX - VALVE VALVE
 150 AMPS • AIR COOLED
 (PATENTED)

SEE GUIDE FOR ADDITIONAL TORCH FRONT END OPTIONS



COPYRIGHT 2014 - 2015 TEC WELDING PRODUCTS, INC.

COLLETS • COLLET BODIES • GAS LENS

| ITEM | ELECTRODE DIAMETER | .020 0,5 | .040 1,0 | 1/16 1,6 | 3/32 2,4 | 1/8 3,2 |
|------|-------------------------|-------------|-------------|-------------|-------------|------------|
| A | COLLET | 13N20 | 13N21 | 13N22 | 13N23 | 13N24 |
| B | COLLET BODY | 13N25 | 13N26 | 13N27 | 13N28 | 13N29 |
| C | GAS LENS | 45V41 | 45V42 | 45V43 | 45V44 | 45V45 |
| D | MED. DIA. GAS LENS | — | — | 45V35SW | 45V36SW | 45V37SW |
| E | LG. DIA GAS LENS COLLET | 13N20L | 13N21L | 13N22L | 13N23L | 13N24L |
| F | LG. DIA GAS LENS | 45V0204S | | 45V116S | 45V64S | 995795S |

GAS NOZZLES

| ITEM | NO. SIZE | 3 3/16" | 4 1/4" | 5 5/16" | 6 3/8" | 7 7/16" | 8 1/2" | 10 5/8" | 11 11/16" | 12 3/4" |
|------|----------------------------|------------|-----------|------------|-----------|------------|-----------|------------|--------------|------------|
| G | ALUMINA | — | 13N08 | 13N09 | 13N10 | 13N11 | 13N12 | 13N13 | — | — |
| H | LONG 17/8" | 796F70 | 796F71 | 796F72 | 796F73 | — | — | — | — | — |
| I | EX. LONG 2 1/2" | 796F74 | 796F75 | 796F76 | 796F77 | — | — | — | — | — |
| J | ALUMINA GAS LENS | — | 53N58 | 53N59 | 53N60 | 53N61 | 53N61S | — | — | — |
| K | ALUMINA MED. DIA. GAS LENS | — | — | — | — | 54N15SW | 54N14SW | 54N12SW | 54N19 | — |
| L | ALUMINA LG. DIA. GAS LENS | — | — | — | 57N75 | — | 57N74 | 53N88 | — | 53N87* |

Specifications and descriptions subject to change without notice.

* #15 53N89 15/16" ID X 1 7/8" Long